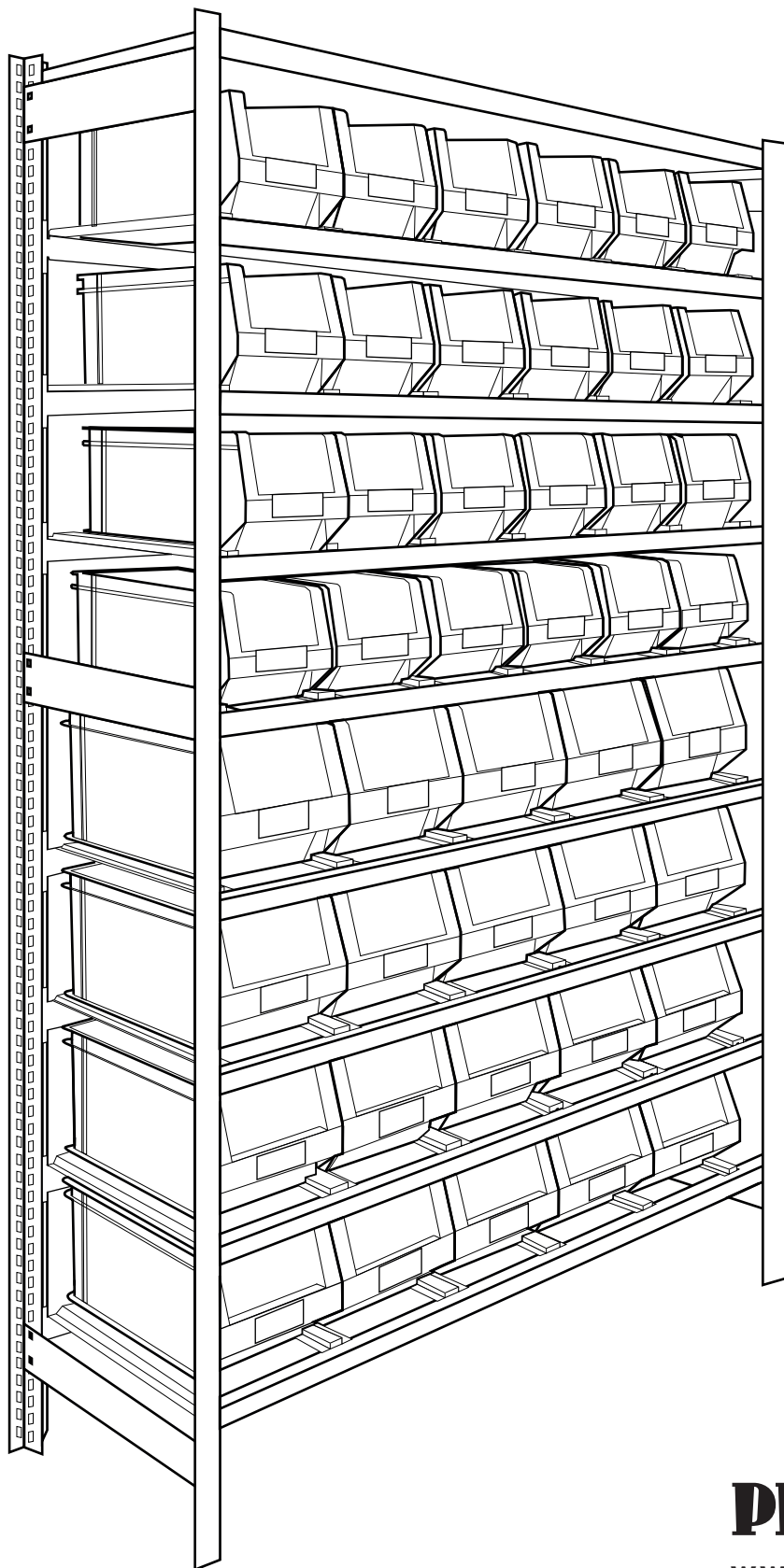
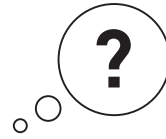
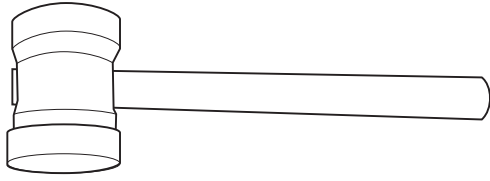


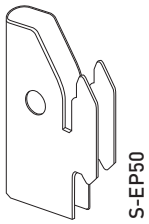
EP50-P2/3L



Plastipol^{sp. z o.o.}
www.plastipol.com

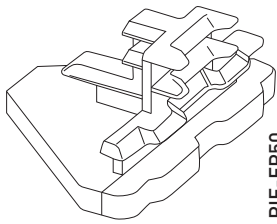


93 586 01 00
ventas@plastipol.com



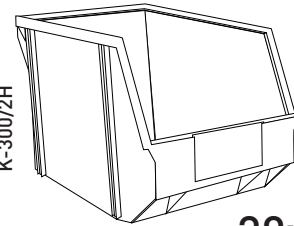
4x

S-EP50



8x

PIE-EP50



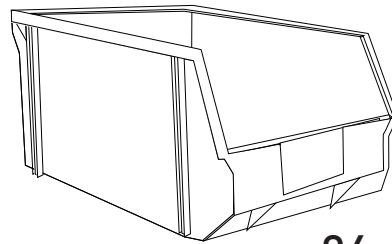
20x

K-300/2H



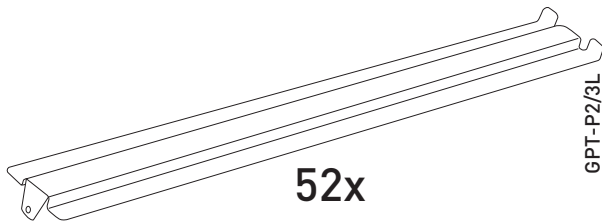
1x

EP50-1135



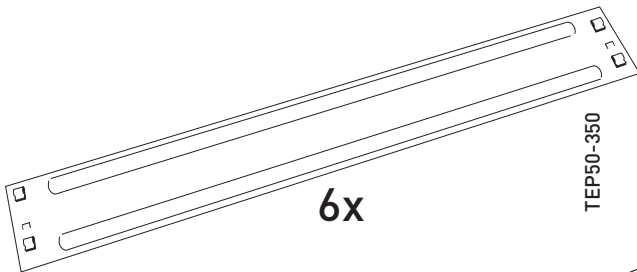
24x

K-300/3HL



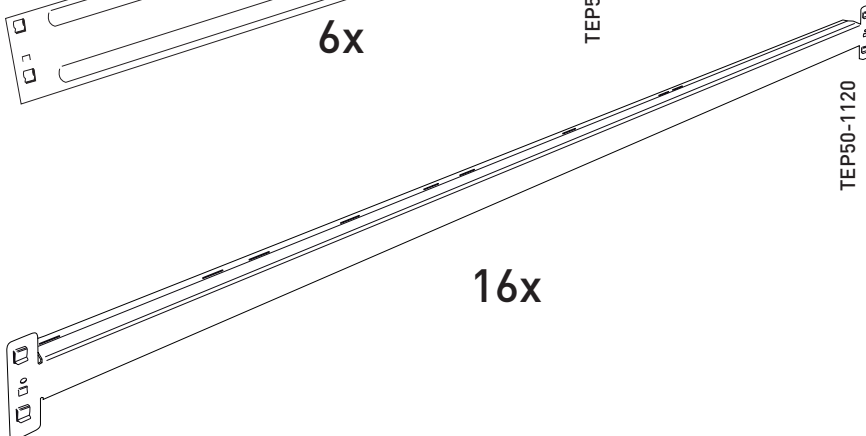
52x

GPT-P2/3L



6x

TEP50-350



16x

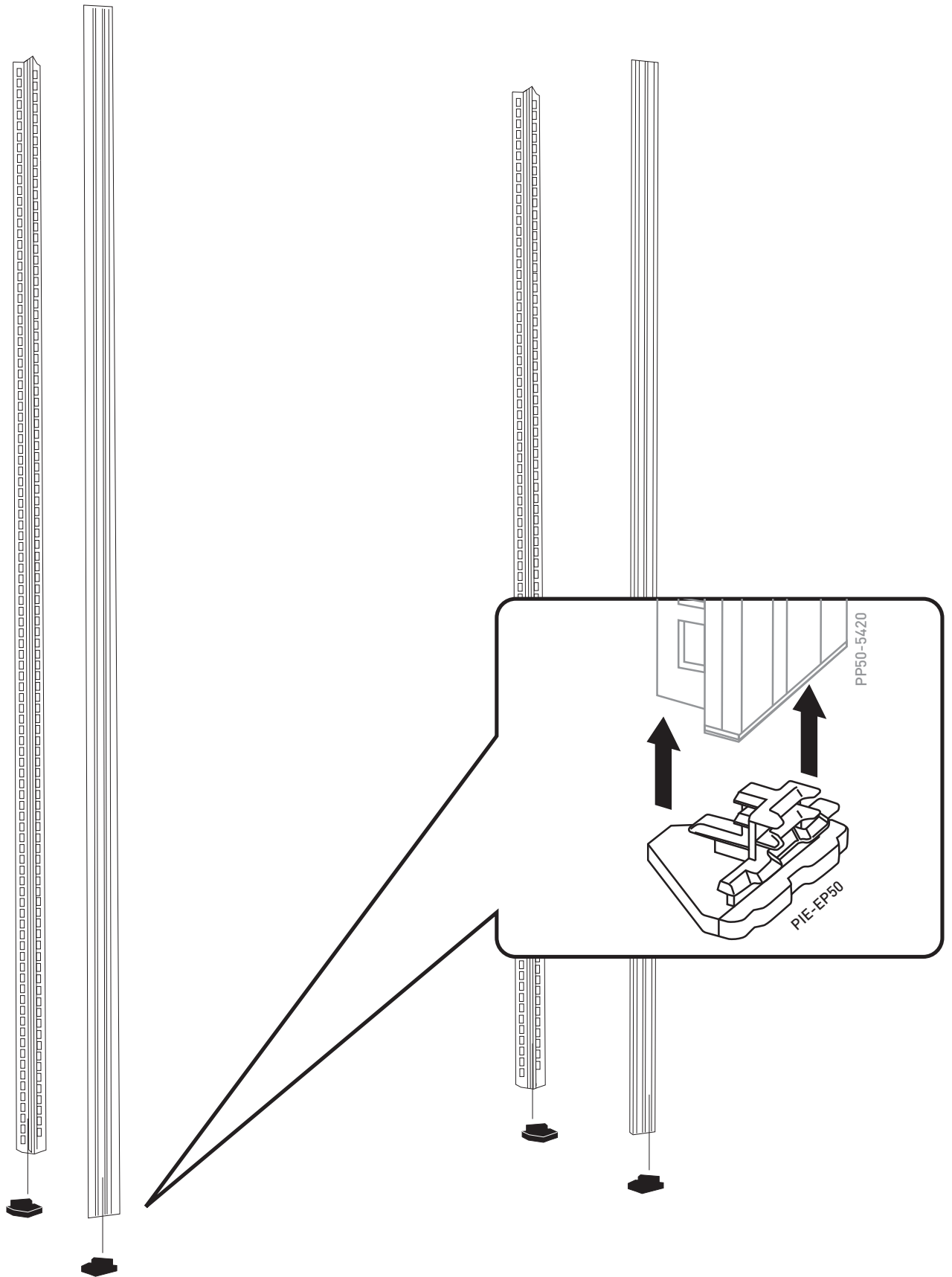
TEP50-1120



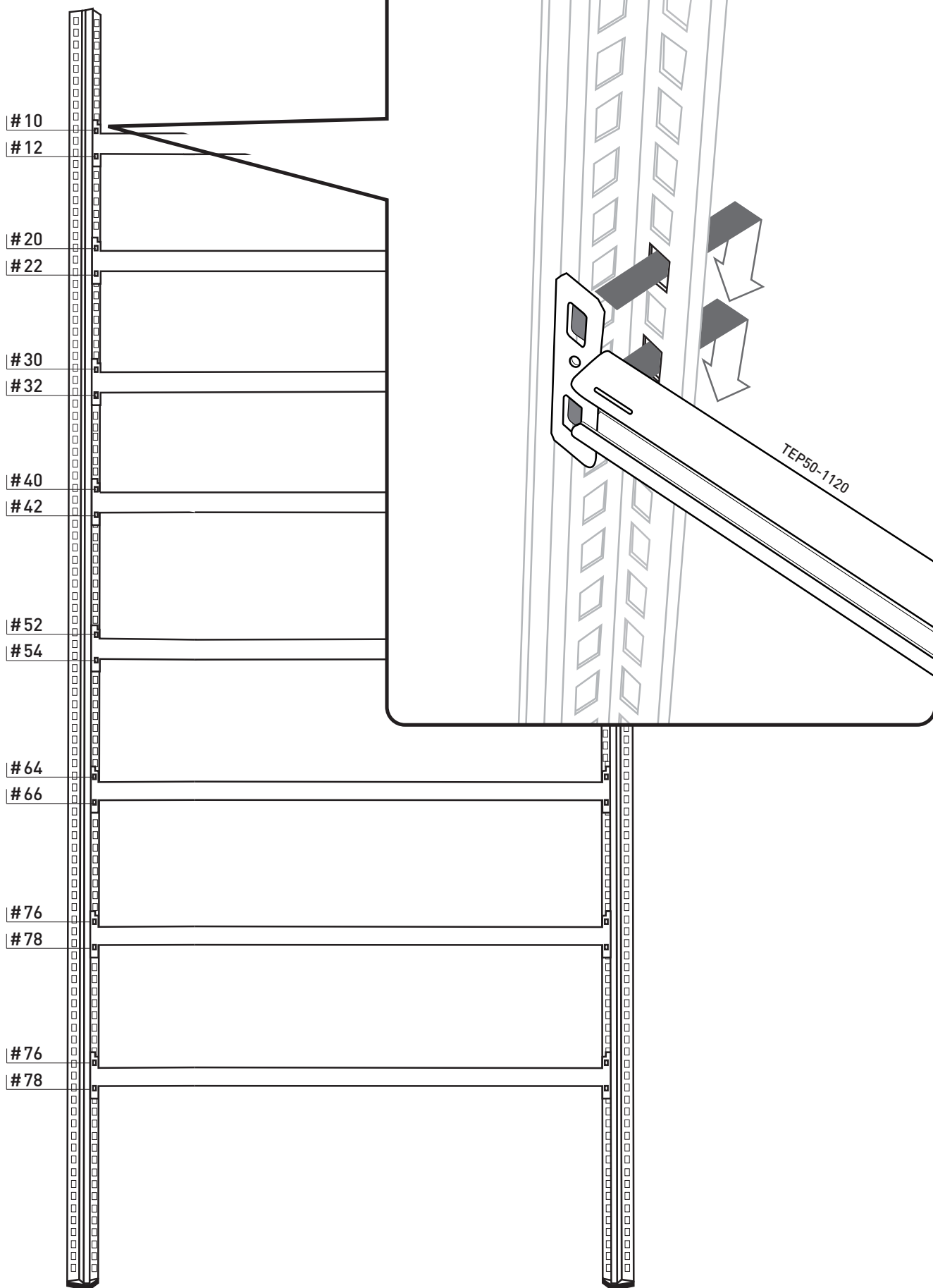
4x

PP50-5420

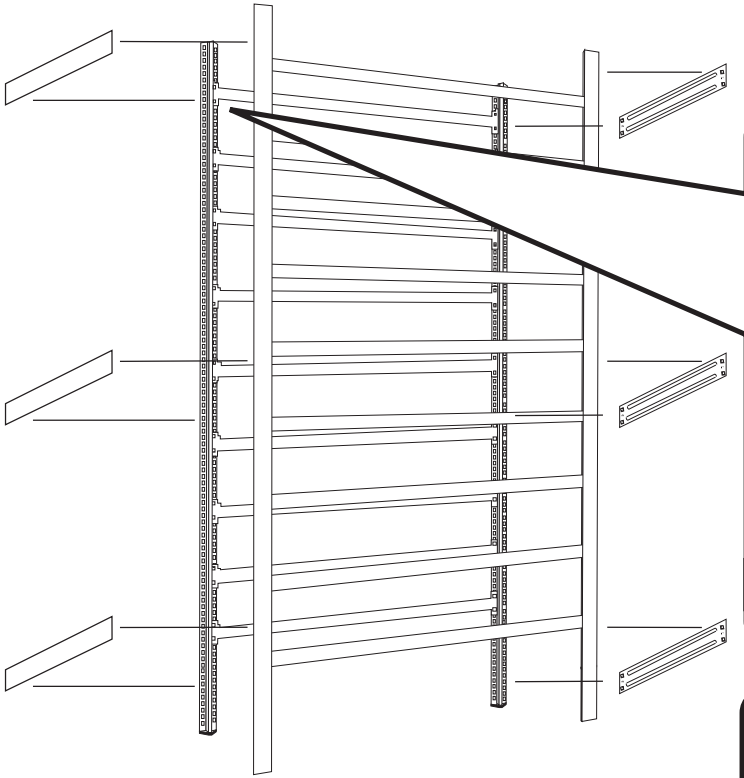
1



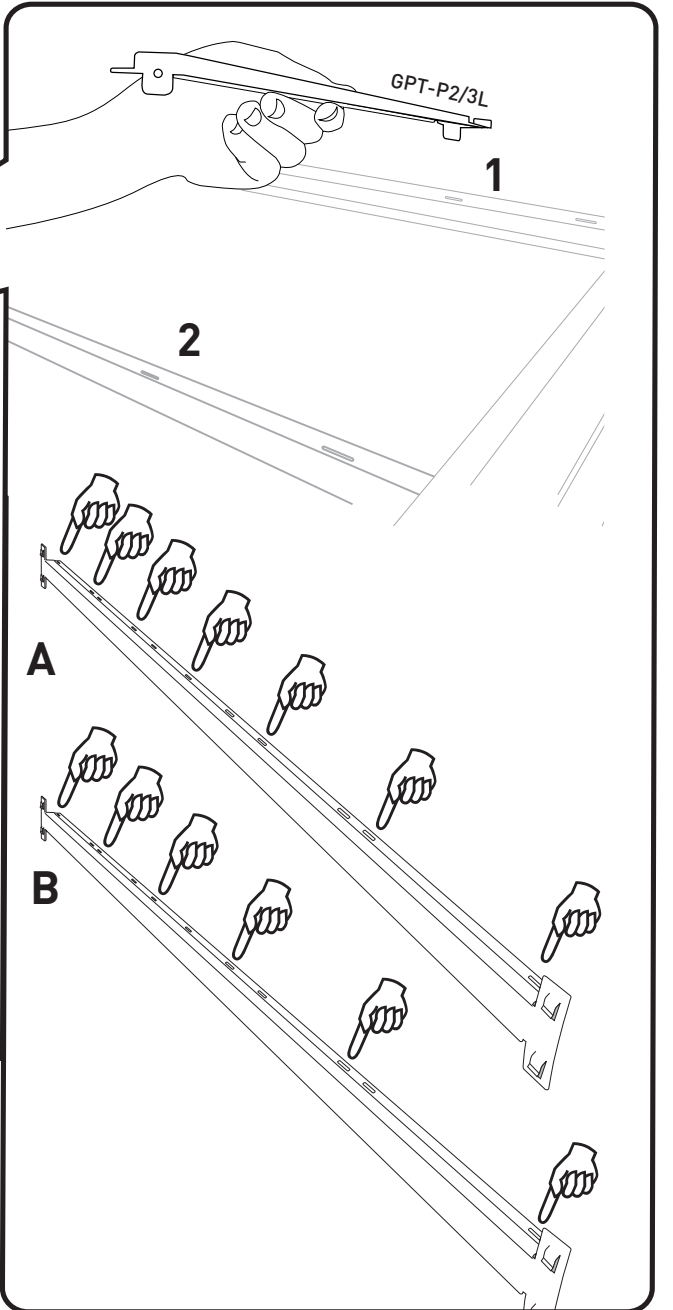
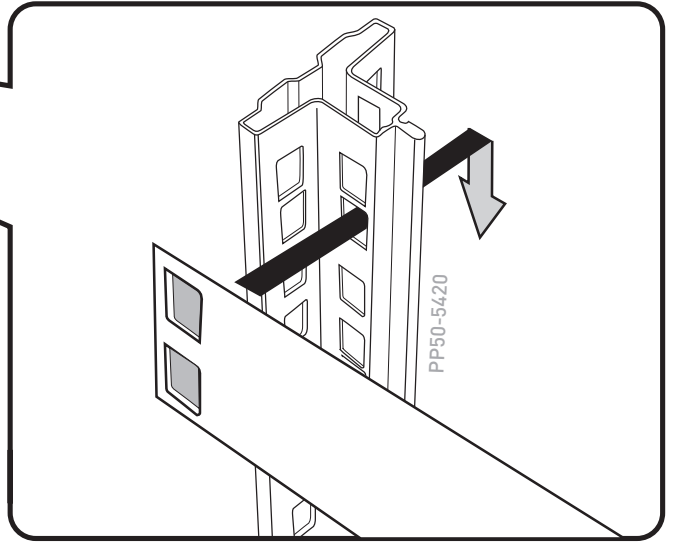
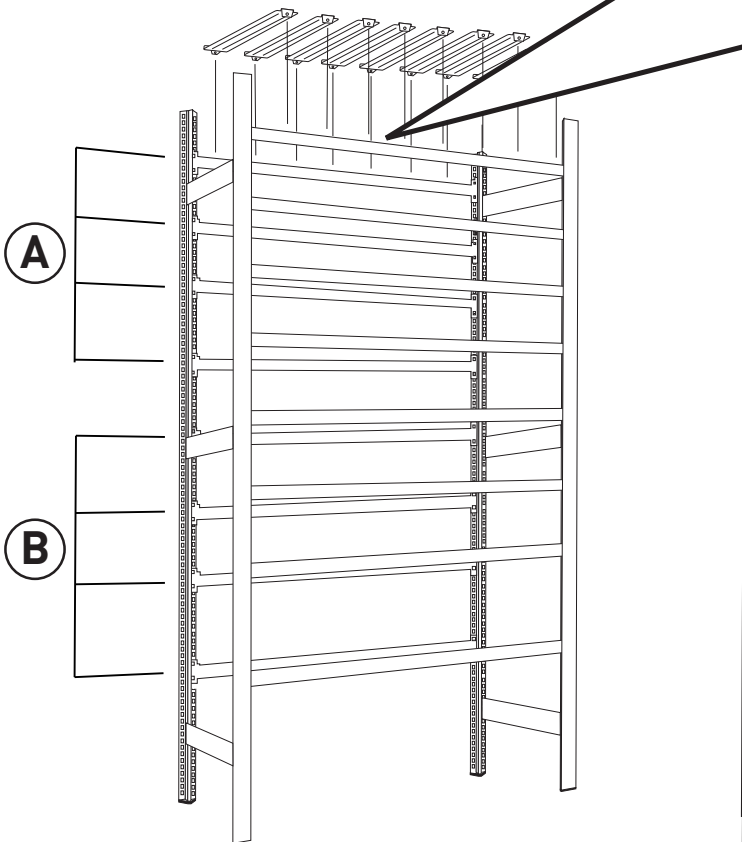
2



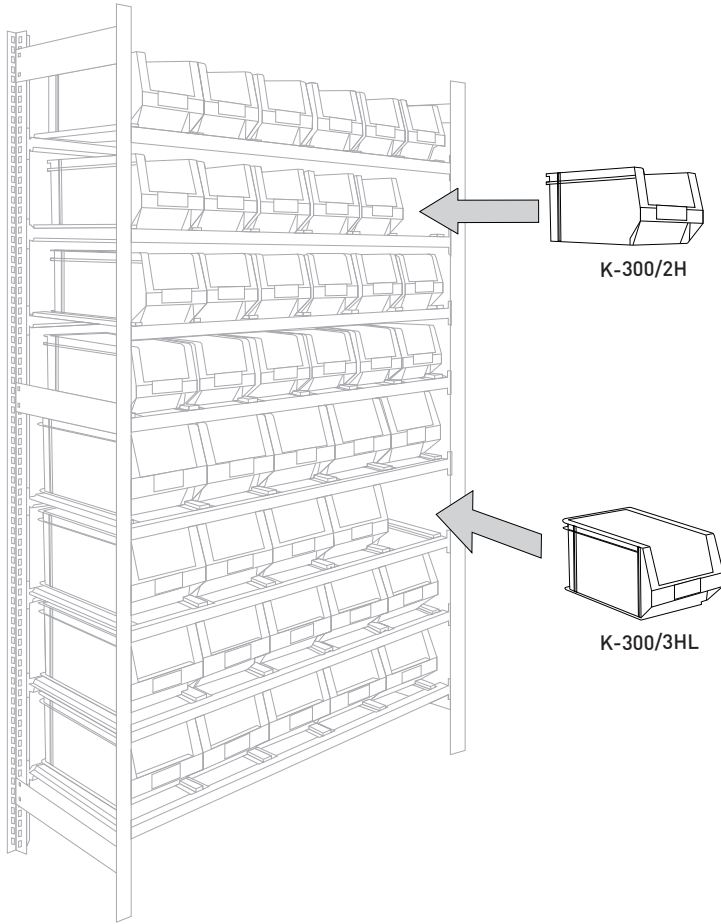
3



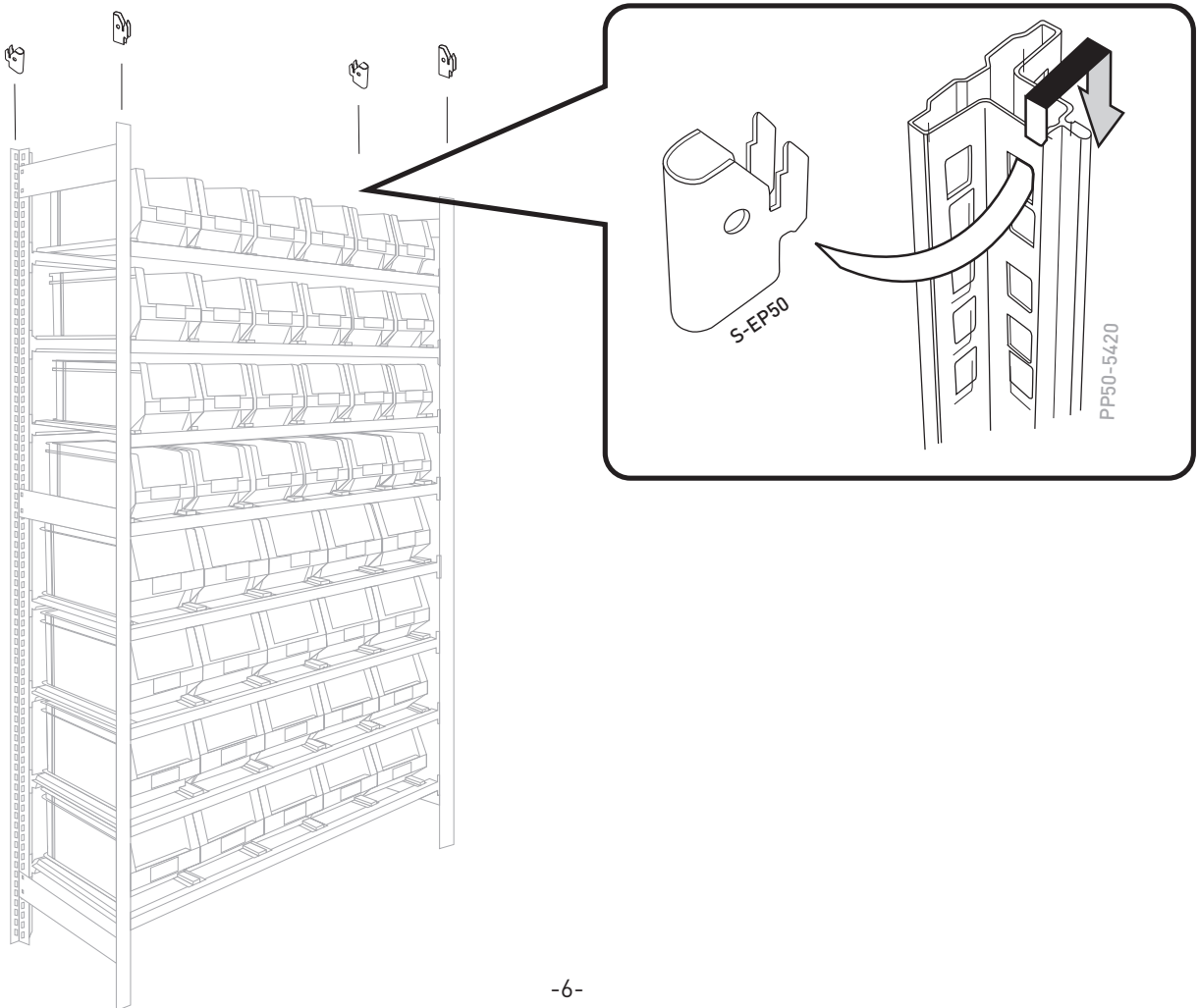
4



5



6



7

